



# 120V In-Ground Light Series IGLEDE06 (120V ONLY)

## FEATURES & SPECIFICATIONS

**Recommended Flagpole Height:** Up to 45'

*Multiple lights may be needed for your application.*

### Construction:

Compression molded, fiberglass reinforced polyester composite housing. Will not peel or flake.

### Mounting:

This well light is an in-ground fixture and should be installed according to Eagle Mountain installation instructions. A ¾" conduit entry is supplied into the anti-siphon chamber. All ballast trays are thermally protected and come pre-wired to specific line voltages via quick connects.

- 120V ONLY
- Par 38 LED Bulb
- Preinstalled 15' Cord
- Narrow spot beam\*\*
- Fixture can be aimed 15 degrees to either side of vertical
- Lamp life hours: 35,000
- ETL LISTED
- Three year warranty on the fixture and finish.
- 90 day warranty on Par 38 LED Bulb.

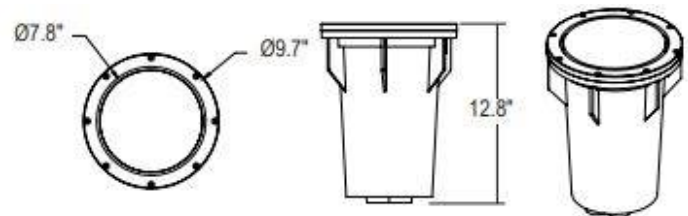
**\*\*Variable flood available**



## Additional Options:



## Dimensions

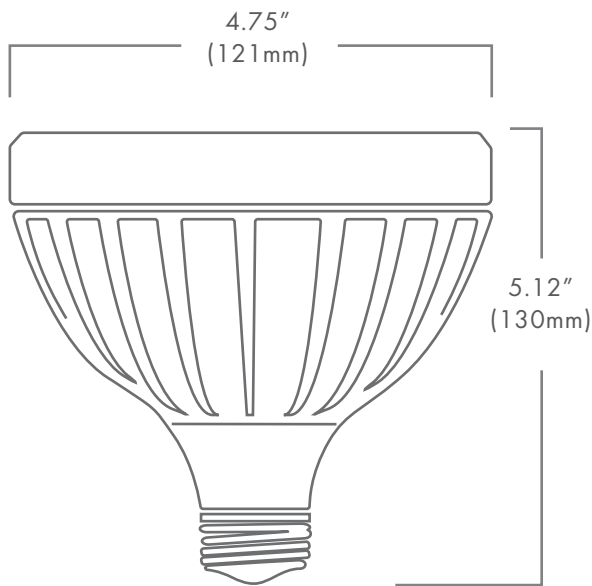


## Re-Designed Anti-Siphon Chamber

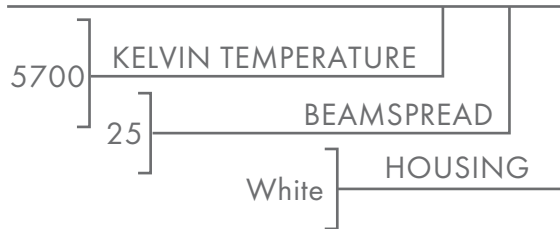
With the increasing problem of water build-up inside the fixture, we have redesigned all of our in-ground buckets with a new anti-siphon chamber. This chamber keeps all ballast components separated from the wiring conduit. This keeps any water absorbed from the ground confined to a separate section.



# PAR 38 BULB INCLUDED IN ALL LIGHTS ABOVE



PART NUMBER: PAR 38 IOS XXXX XX XX



## DESCRIPTION:

The PAR (Indoor/Outdoor) Series is designed specifically as an energy saving alternative to traditional halogen PAR lamps, making them ideal for flagpole lighting. Designed for 120VAC, 60Hz universal power, they can be installed into any standard E26 medium socket. The lamps are corrosion resistant. Each lamp is made with CREE XP-E high power chipset.

## FEATURES:

- Dimmable
- Shock and vibration resistant
- UV, NIR radiation & mercury free
- White Housing
- Suitable for totally enclosed fixtures
- UL & FCC compliant

Wattage	17
Lumens	1150
Beam Spread	25°
Kelvin Temperature	5700
Input Voltage	AC 110-120V/60hz
Replaces	100W Halogen
CRI	85
IP	64
Chipset	CREE XP-E
Lamp Life (hours)	35,000