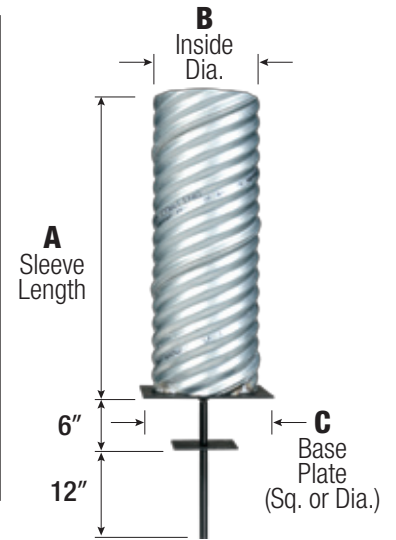
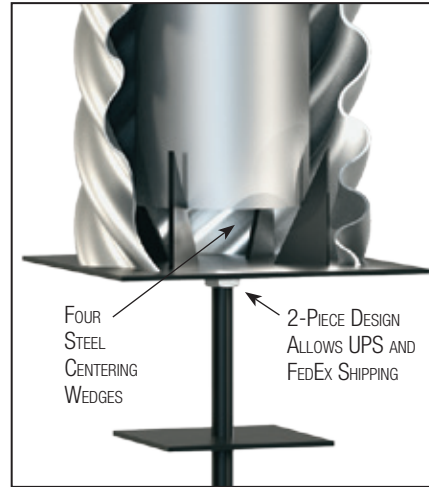


## Ground Sleeves - Steel

### Corrugated Steel with Steel Lightning Spike Two-Piece Design

Corrugated Steel Ground Sleeves with Steel Lightning Spike are designed for use in Ground Set flagpole installations. Our superior 2-piece design contains an upper section manufactured of galvanized 16-gauge corrugated steel tube, a thick steel base plate, and steel centering wedges welded into the base to assist in plumb installations of the flagpole. The lower section incorporates a threaded top 3/4" diameter steel grounding spike with 6" x 6" steel setting plate, allowing the concrete foundation to completely surround the sleeve. Ground Sleeves for flagpoles up to 75' can be shipped via UPS and FedEx, providing significant savings over competitor's one piece designs. Contact Customer Service for custom sizes, larger sizes, or special applications.



FLAGPOLE HEIGHT	FOR USE WITH 4" BUTT DIAMETER FLAGPOLES		FOR USE WITH 5" BUTT DIAMETER FLAGPOLES		FOR USE WITH 6-7" BUTT DIAMETER FLAGPOLES		FOR USE WITH 8" BUTT DIAMETER FLAGPOLES		FOR USE WITH 10-12" BUTT DIAMETER FLAGPOLES	
	"A" SLEEVE LENGTH	SLEEVE DIA. "B" = 6" BASE PLATE "C" = 8" PART NUMBER	SLEEVE DIA. "B" = 8" BASE PLATE "C" = 10" PART NUMBER	SLEEVE DIA. "B" = 10" BASE PLATE "C" = 12" PART NUMBER	SLEEVE DIA. "B" = 12" BASE PLATE "C" = 14" PART NUMBER	SLEEVE DIA. "B" = 15" BASE PLATE "C" = 16" PART NUMBER				
20'	2'	GCA-2006	GCA-2008	GCA-2010						
25'	2'-6"	GCA-2506	GCA-2508	GCA-2510						
30'	3'	GCA-3006	GCA-3008	GCA-3010		GCA-3012				
35'	3'-6"		GCA-3508	GCA-3510		GCA-3512				
40'	4'		GCA-4008	GCA-4010		GCA-4012			GCA-4015	
45'	4'-6"			GCA-4510		GCA-4512			GCA-4515	
50'	5'			GCA-5010		GCA-5012			GCA-5015	
55'	5'-6"								GCA-5515	
60'	6'								GCA-6015	
65'	6'-6"								GCA-6515	
70'	7'								GCA-7015	
75'	7'-6"								GCA-7515	
80'	8'								GCA-8015	

\*GCA Ground Sleeves May Be Combined For Quantity Discounts: 6+... Deduct 5%.