



## 30 lb. Nickel Plated Special Guidon Stand

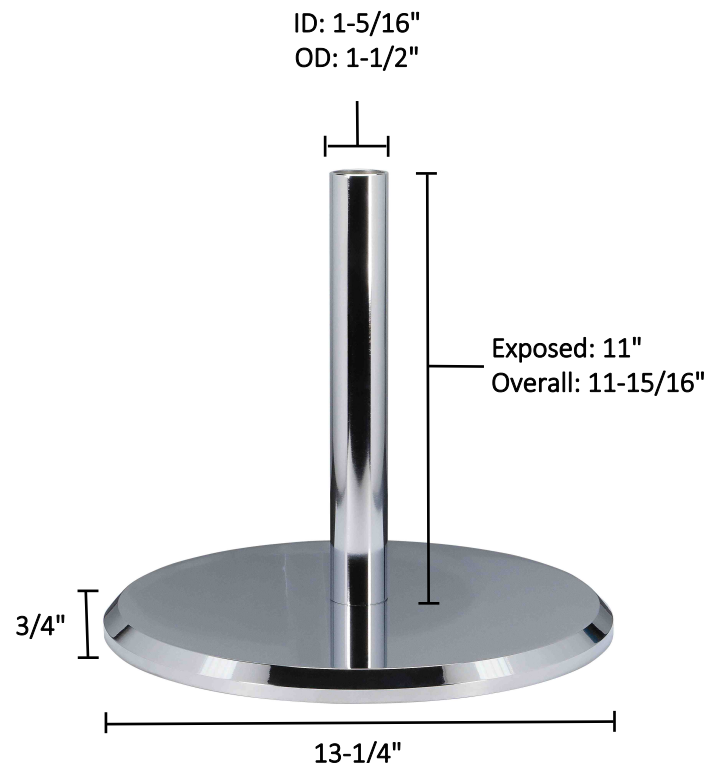
SKU: FPS-GS-1-NIC  
UPC: 762765188217



Proudly engineered and manufactured in the USA, the 30 lb. Nickel-Plated Special Guidon Stand is designed to meet government specifications, ensuring reliable and professional performance for formal flag displays. Its sturdy 30 lb. base offers exceptional stability, perfect for military, governmental, ceremonial and commercial use. The nickel and chrome plated finish provides a sleek, polished look along with durable finish, ensuring long-lasting performance for indoor use only.

### Features & Specifications

- ✧ **Weight:** 30 lb
- ✧ **Overall Height:** 11.75"
- ✧ **Base Dimensions:** 13.25" in diameter, 0.75" in height
- ✧ **Pole Shaft Diameter:** 1.5" outer diameter, 1.31" inner diameter
- ✧ **Material:** Nickel-Plated
- ✧ **Removable Pole Shaft:** Shaft unscrews easily for convenient storage and transport.



#### Flagpole Stand Carrying Case Option

SKU: StandBag



- ✧ Holds up to 30 lbs
- ✧ Made of black nylon
- ✧ 2 internal pockets for accessories
- ✧ Places for Velcro or Hook & Loop Patches On 1 Side