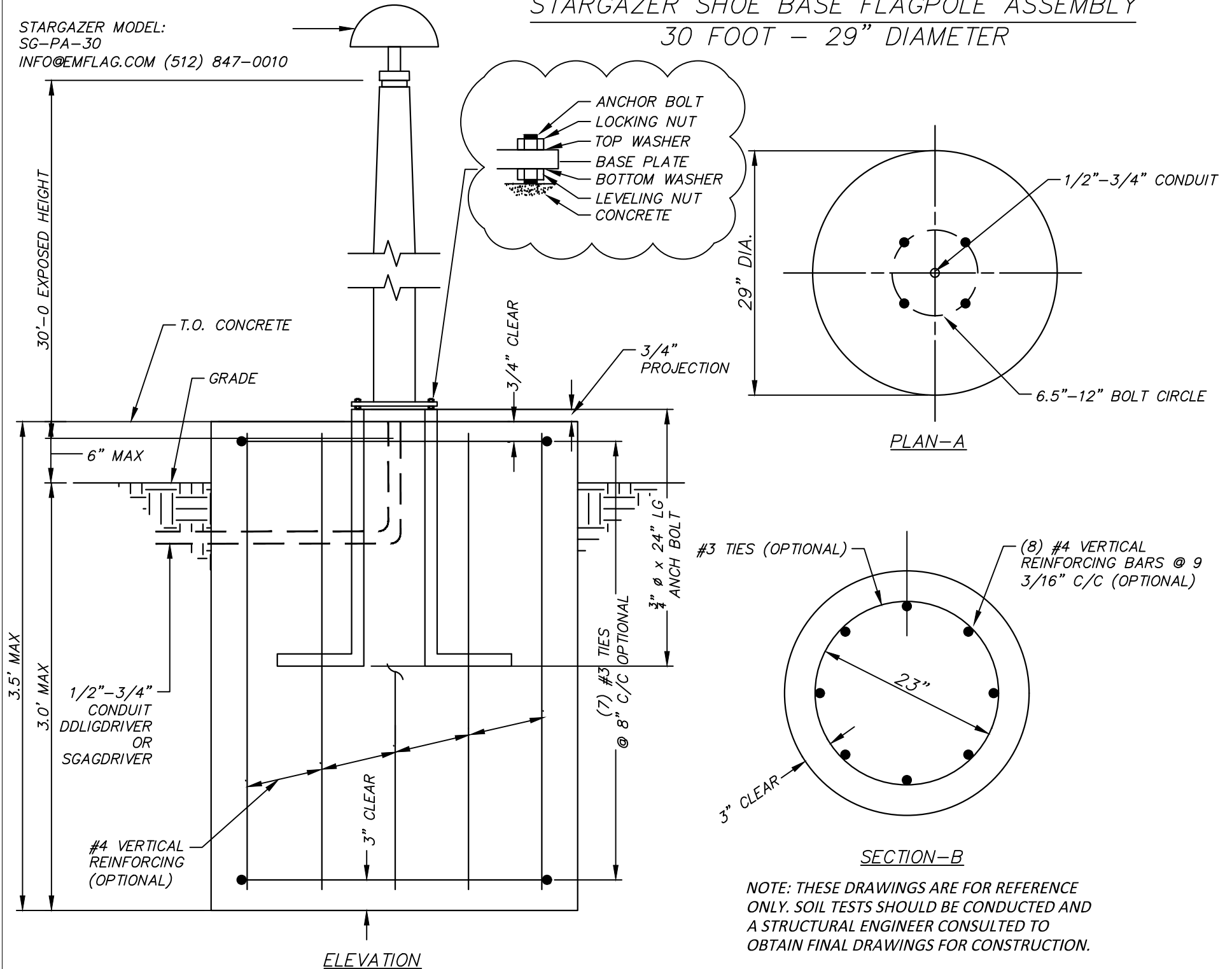


STARGAZER SHOE BASE FLAGPOLE ASSEMBLY

30 FOOT - 29" DIAMETER

STARGAZER MODEL:
SG-PA-30
INFO@EMFLAG.COM (512) 847-0010



NOTE: THESE DRAWINGS ARE FOR REFERENCE ONLY. SOIL TESTS SHOULD BE CONDUCTED AND A STRUCTURAL ENGINEER CONSULTED TO OBTAIN FINAL DRAWINGS FOR CONSTRUCTION.